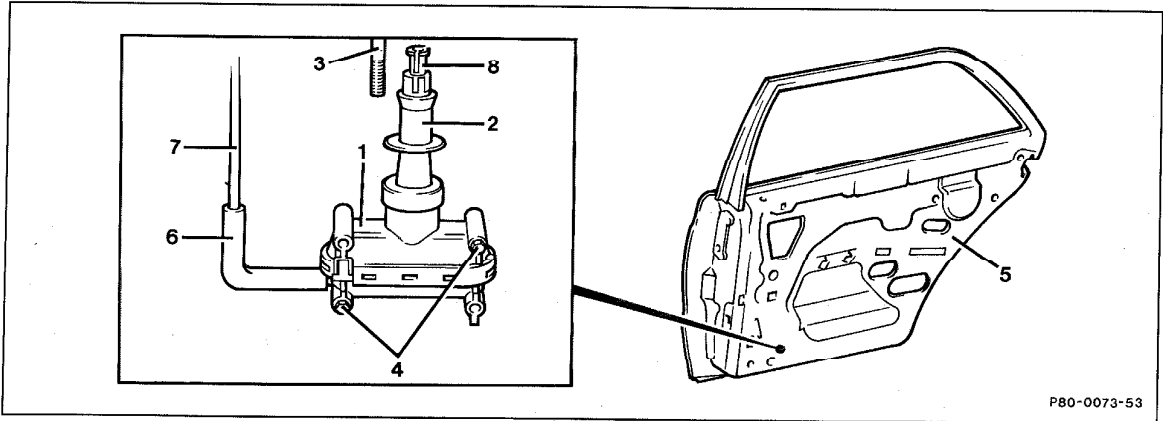


80-220 R and R rear door actuator

Preliminary work:
 Checking central locking system for leaks (80-120)



Door lining (5)	Remove, install.
Sliding sleeve (2)	Push back.
Control rod (3)	Push out, push in.
Screws (4)	Loosen, tighten.
Actuator (1)	Disconnect, connect.
Pneumatic pipe (6)	Pull off.
Contour hose (7)	Check for damage, fit.
Pneumatic function of the actuator (1)	Check (80-116).
Actuator (1)	Bring in installation position. Fully push back sliding sleeve (2) and pull control rod attachment (8) out until it engages.
Install	in reverse order.